

Mini Excavators

DX10Z-7

Maximum power	10,35 hp
Operating weight	1,165 kg
Max. bucket capacity	0,020m ³



DEVELON

DEVELON

Continuous evolution, for better.

As one of Korea's first large-scale assembly plants, our roots date back to 1937. Since then, we have consistently delivered earth-moving equipment to build critical infrastructure for the betterment of communities, societies and the wider world.

**We are
Develon.**

Develon is a bold name that reflects our core ambition to continue developing onwards and to make a positive mark on our world. Moving forward, we will continue providing innovative products and solutions that advance the world we live in today.



Lift beyond limits

The smallest in the DEVELON mini excavator range, the DX10Z-7 is powered by a Kubota D722 engine delivering 10.35 hp. It features a strategically designed new boom with improved lifting capacity for getting to hard-to-reach spots and increased digging reach at ground level. Along with enhanced traction force and an ergonomically designed operator's space, which make it highly efficient no matter if you are working in your garden or any confined urban area, the DX10Z-7 meets all your needs for efficient job completion.

Top performance

The DX10Z-7 mini excavator, though compact, is a powerhouse capable of handling a wide range of tasks with ease. Its robust engine and advanced hydraulic system deliver impressive performance, allowing it to tackle digging, lifting, and grading efficiently. It combines power and precision, making it an indispensable tool for operators who need a reliable and efficient machine for a variety of applications.

Versatility

Its compactness, together with its top performance, enhances its versatility, making it ideal for construction sites, landscaping projects, and urban environments.

Safety

The machine's reliability and balance during operations make operators feel safe while working on jobsites. With its retractable tracks, you get further support and stability, which in turn result in a safe working environment and peace of mind for operators.

Controllability

Its user-friendly interface, responsive hydraulic system, and ergonomic controls ensure precise and effortless operation. Operators will appreciate the intuitive joystick controls and the seamless coordination between movement and function, enhancing productivity and reducing fatigue during extended use.

Zero tail swing

While working close to an obstacle, the DX10Z-7 enhances safety and maneuverability in confined spaces, providing peace of mind. This design ensures that the rear of the excavator stays within the width of the tracks, reducing the risk of impacts and promoting a safer working environment.



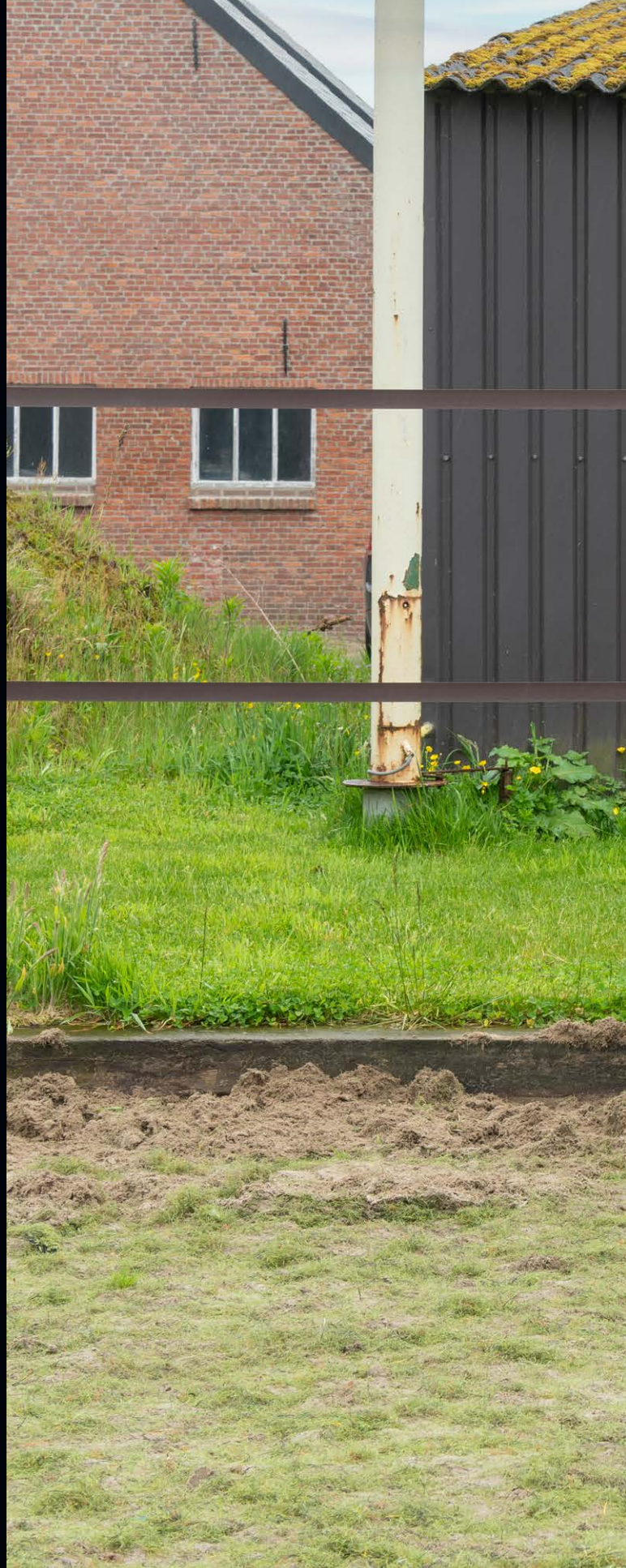


Reliable power in compact form

The smallest Develon excavator, the DX10Z-7 is designed for easy operation in confined work environments.

Enhanced design and performance

Powered by a 10.35 hp engine. Fast cycle times and class-leading breakout forces ensure maximum productivity, while boom and arm cylinder cushioning enhance overall smoothness, making this compact, yet powerful machine perfect for a variety of jobs.





Compact build,
colossal power



From every
task to every
challenge



Extend upward, explore downward

The machine's advanced technology allows for smooth maneuverability, making it ideal for tight spaces and complex tasks.

Enhanced stability and lifting capacity

With enhanced stability and lifting capacity, combined with best-in-class proportional auxiliary flow, the DX10Z-7 offers exceptional versatility for operating a wide range of attachments. Its superior dumping height simplifies the loading of trucks, while the extended reach at ground level reduces the need for frequent repositioning when digging.

New boom design

The strategically designed new boom and the arm length increase your working range and help you get to hard-to-reach spots. Compact in design, it can fit into any space and lets you do your work in tight areas that would be hard to reach with any other mini excavator.

The DX10Z-7 features both increased dumping height and increased digging reach at ground level. The boom cylinder is positioned on the upper side of the boom, and the front assembly is protected by cylinder guards to prevent collisions and damage. The optimized hydraulic hose layout, which runs inside the boom structure, reduces the risk of hose damage and failure, minimizing the need for repairs and downtime. Additionally, the machine's lifting capacity, bucket breakout force, arm breakout force, enhanced track length on the ground, and stability all contribute to its increased traction force, making this machine ideal for demanding jobs in tight areas.

New boom design

Smaller in size, the DX10Z-7 fits easily on a conventional trailer and is easier to transport thanks to its new integrated upper structure tie-down points.



**Lift high,
reach far, stay
grounded**



Dig with confidence, move with stability

The DX10Z-7 features an extendable undercarriage width of up to 1,100 mm, ensuring maximum stability along with zero tail swing for enhanced safety and peace of mind when working close to obstacles. Designed with the operator in mind, it includes a swivel and tilting stand system for excellent ergonomic flexibility. Along with a boom LED worklight, this enhances the operator's jobsite safety and comfort.

Foldable canopy

The TOPS can be folded down quickly without any tools, allowing the machine to pass through most European-size doors or narrow spaces. Simply remove the locking pin and fold the upper canopy body backward to access hard-to-reach places and make your work easier.

Swing lock pin

The swing lock must be engaged to prevent rotation of the upper structure when moving forward, especially when the excavator is being transported or parked on uneven terrain. Sudden swinging can cause accidents or damage to surroundings.

Easy component access

For easy access to engine components, a maintenance access panel is provided under the operator's seat. The engine oil filter, fuse and dipstick are all within easy reach.

Simplified operation, maximum efficiency

The DX10Z-7 features several indicators and switches designed to enhance control and minimize interruptions during operation.



Controllability

The Track Extension and Blade selector switches, along with the Travel Speed button, enable quick and intuitive adjustments to suit various tasks. Together, these features enable the operator to manage the machine effectively and keep updated on its working status without disrupting the job. Engine speed can be controlled by adjusting the lever, from the lowest to the highest engine speed. It features two pedals – one for the boom and the other for the auxiliary line, both of which are easy to activate/use.

Blade control lever

After pressing the track width adjustment switch, the chassis width can be changed using the blade control lever (730/1,100 mm). The width of the dozer blade also needs to be adjusted accordingly.

Swing lock pin

To prevent rotation of the upper structure when moving forward, especially when the excavator is being transported or parked on uneven terrain, and to avoid accidents or damage, the swing lock must be engaged by aligning the upper structure with the lower frame and inserting the lock pin into the holes.

Maintenance made simple

The reinforced chassis provides strength, while the optimized boom shape ensures uniform load distribution for greater durability. Top quality materials, the most advanced computer-aided designed, and endurance testing under the most demanding conditions ensure your excavator keeps on performing.



Cylinder over boom

The workgroup for this excavator boasts a cylinder-over-boom design, eliminating the risk of cylinder damage. Additionally, the auxiliary hydraulic hoses are routed inside the boom to prevent damage during operation. These features significantly enhance durability.

Lockable cap

A unique and secure access point is provided for all maintenance checks.

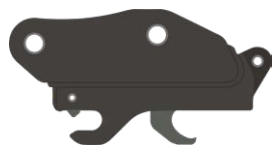
Designed to last

The DX10Z-7 is designed for low maintenance at longer intervals, resulting in more machine availability on site. Meanwhile, skilled DEVELON-trained technicians are on hand to provide extra support when needed.

Attachments

Versatile DEVELON-7 Series mini excavators can use a variety of attachments so you can do more than dig, expanding your capabilities on every job. DEVELON attachments are built to DEVELON machine specifications for superior reliability and performance.

Pin-on quick coupler



The quick coupler fits your Develon mini excavator perfectly as it is constructed based on your machine's kinematics. You are guaranteed a precise and secure connection, as the new quick coupler features perfectly fitted stoppers. This quick coupler is designed to endure extreme conditions and work optimally in any loading scenario.

Digging buckets with teeth



The digging buckets have thick, chamfered side cutters and bottom wear straps covering 90% of the bottom of the bucket.

Grading bucket



The grading bucket features one or more web plates to increase the stiffness of the bucket.



DEVELON

TECHNICAL SPECIFICATIONS

DX10Z-7



Engine

Make	KUBOTA
Model	D722
Number of cylinders	3
Rated power, gross	10.35 hp (7.6 kW) @ 2,050 rpm
Max. torque, net	4.08 kgf.m @ 1,600 rpm
Displacement	0.719 l
Bore and stroke	67 mm × 68 mm
Air cleaner	Double elements

Hydraulics

Main pumps	2 × 10.4 l/min @ 2,300 rpm
Pilot pump (gear design)	3.1 l/min @ 2,300 rpm
Max. pressure auxiliary line	176 bar
Swing (crossover relief)	69 bar

Maximum System Pressure

Boom/arm/bucket (normal mode)	210 kg/cm ²
Swing (crossover relief)	165 kg/cm ²

Swing mechanism

Swing speed	8.7 rpm
Swing torque	152.7 kgf.m

Performance

Travel speed (low – high)	1.7/3.4 km/h
Traction force, max. (drawbar pull)	12.75 Kn
Max. gradeability	30°
Bucket digging force	10.8 kN
Arm digging force	6.3 kN

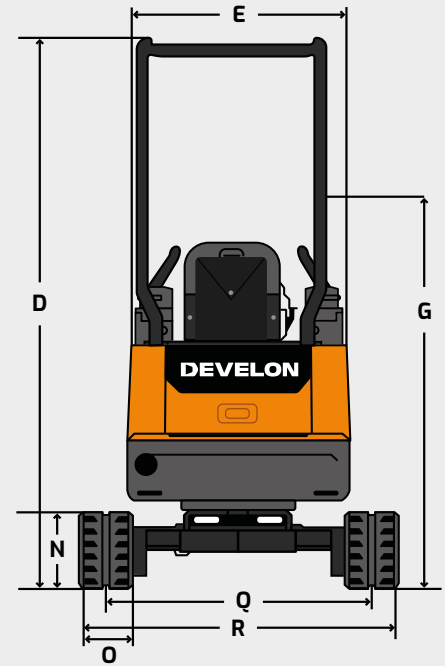
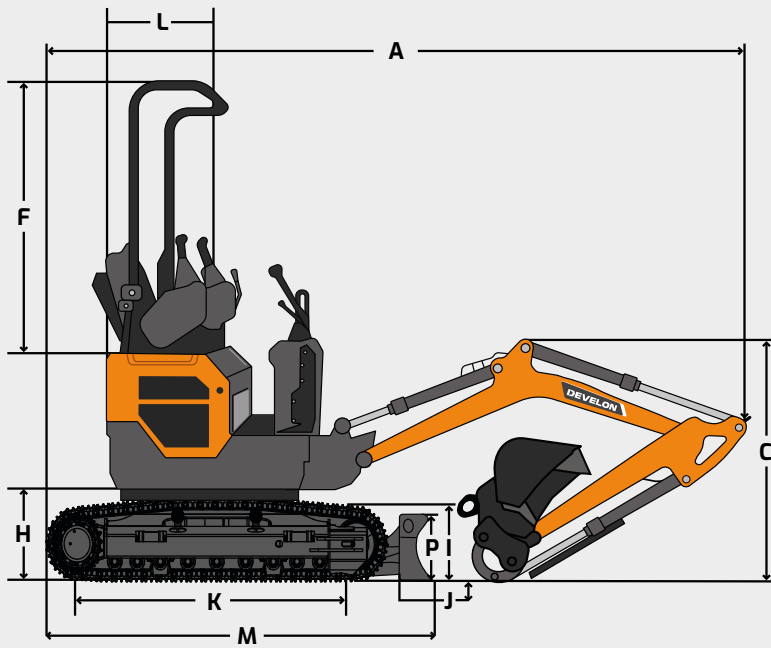
Environment

Sound level (ISO 6395)	91 dB (A)
Cabin sound level	76 dB (A)

Refill Capacities

Fuel tank	14.2 l
Cooling system (radiator capacity)	2 l
Hydraulic tank	10.8 l
Engine oil	2.8 l
Travel device	2 × 0.33 l

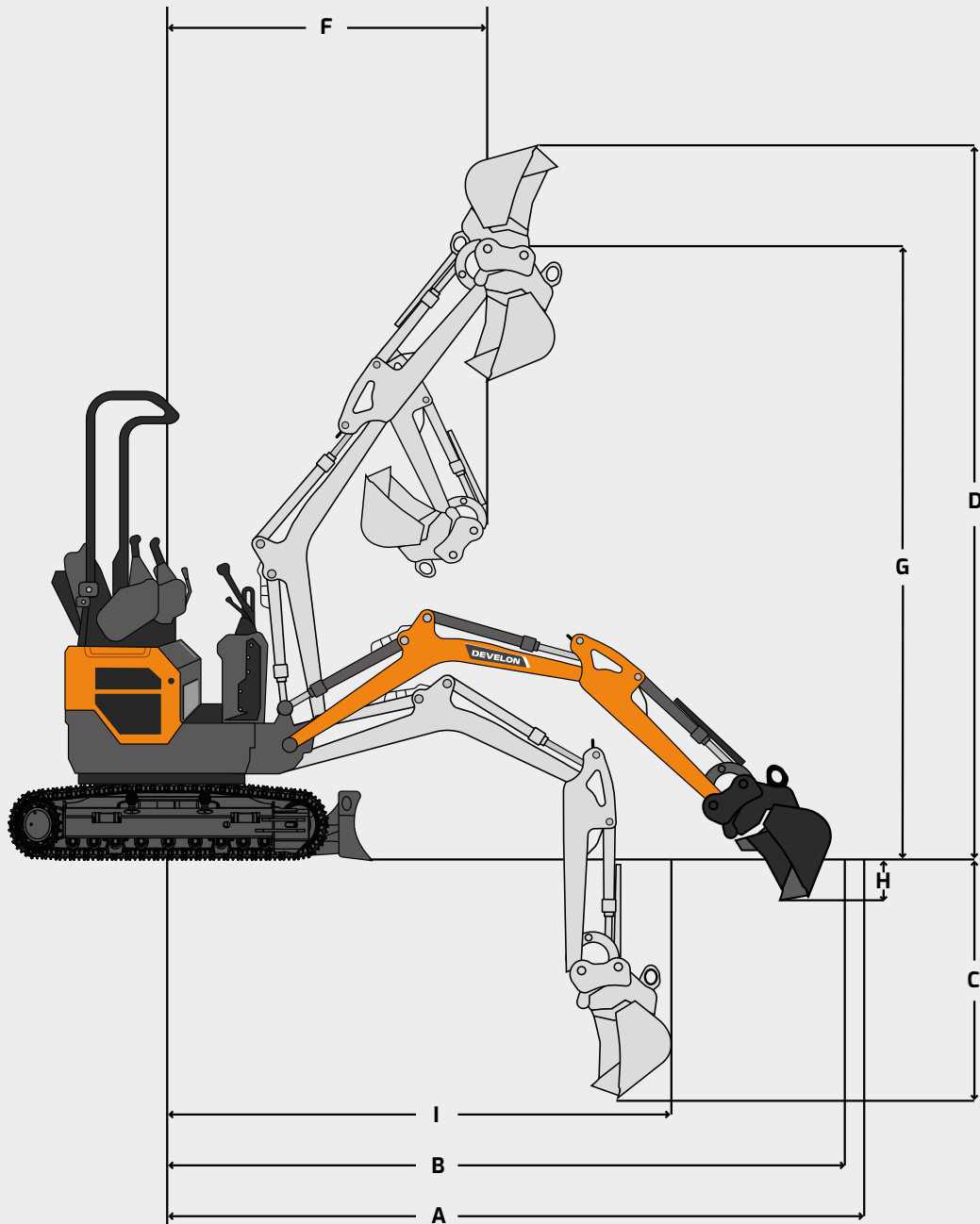
Dimensions



Machine Dimensions

	Unit	DX10Z-7
Front	-	2-Pillar Canopy
Boom length	mm	1,450
Arm length	mm	890
Bucket capacity (ISO)	m ³	0.02
Undercarriage / Shoe	-	Rubber
A Overall length	mm	3,010
C Overall height – Boom	mm	1,095
D Overall height – Canopy	mm	2,220
E Housing width	mm	730
H Counterweight clearance	mm	395
I Dozer lift clearance	mm	227
J Dozer digging depth	mm	220
K Tumbler distance	mm	1,025
M Track length	mm	1,353.1
N Track height	mm	328.2
O Shoe width	mm	-
P Dozer blade height	mm	200
R Overall width (Retracted/Extended)	mm	730/1,100
Q Track gage (Retracted/Extended)	mm	550/920
Distance to dozer end	mm	890
Canopy width	mm	730
Rear-end distance	mm	550
Ground clearance	mm	150
Rear swing radius	mm	550

Working range



Working Range

	Unit	DX10Z-7
Boom	mm	1,450
Operating weight	kg	1,165
Bucket (SAE)	m ³	0.02
Arm	mm	890
A Max. digging reach	mm	3,400
B Max. digging reach (ground)	mm	3,355
C Max. digging depth	mm	2,205
D Max. digging height	mm	3,050
F Min. swing radius	mm	1,410 (1,110)
G Max. bucket pin height	mm	2,645
H Max. vertical wall depth	mm	1,025
I Max. radius vertical	mm	2,935

Lifting Capacities – DX10Z-7

	A	1.0 m		1.5 m		2.0 m		2.5 m		Max. reach		
B												A

DX10Z-7 + BLADE UP + Boom 1.45 m · Arm 0.8 m · w/o Bucket · Shoe (Rubber) 180 mm · Unit 1,000 kg

2.5 m									0.28	0.29	Max. at (m) 1.83
2.0 m					0.25 *	0.25			0.18	0.18	Max. at (m) 2.42
1.5 m					0.24	0.25	0.17	0.18	0.14	0.15	Max. at (m) 2.74
1.0 m			0.37	0.39	0.23	0.24	0.16	0.17	0.13	0.13	Max. at (m) 2.91
0.5 m	*	*			0.22	0.23	0.36	0.17	0.12	0.13	Max. at (m) 2.96
0 m				0.34	0.21	0.22	0.15	0.16	0.12	0.13	Max. at (m) 2.90
-0.5 m		0.55*	0.55*	0.34	0.21	0.22	0.15	0.16	0.14	0.14	Max. at (m) 2.73
-1.0 m		0.69	0.73	0.34	0.21	0.22			0.17	0.17	Max. at (m) 2.39

DX10Z-7 + Blade down Boom 1.45 m · Arm 0.89 m · w/o Bucket · Shoe (Rubber) 180 mm · Unit 1,000 kg

2.5 m						*			0.33**	0.33*	Max. at (m) 1.83
2.0 m					0.25*	0.25*			0.28**	0.28*	Max. at (m) 2.42
1.5 m					0.27*	0.27*	0.28*	0.28*	0.25**	0.25*	Max. at (m) 2.74
1.0 m			0.47*	0.47*	0.36*	0.36*	0.30*	0.30*	0.25**	0.25*	Max. at (m) 2.91
0.5 m				*	0.43*	0.43*	0.32*	0.32*	0.24**	0.24*	Max. at (m) 2.96
0 m			0.59*	0.59*	0.44*	0.44*	0.32*	0.32*	0.23 *	0.23**	Max. at (m) 2.90
-0.5 m	0.55*	0.55*	0.59*	0.59*	0.39*	0.39*	0.27*	0.27*	0.21*	0.21*	Max. at (m) 2.73
-1.0 m	0.89*	0.89*	0.89*	0.46	0.30*	0.30*			0.20*	0.20*	Max. at (m) 2.3916

Standard & Optional equipment

Standard

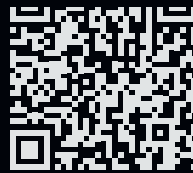
DX10Z-7

TOPS canopy (Tip-Over Protective Structure)	•
1,450 mm boom	•
890 mm arm	•
Hydraulically activated track expansion from 730 to 1,100 mm, 180 mm rubber track	•
730 mm dozer blade with two blade extensions (1,100 mm extended)	•
Two-speed travel	•
1st auxiliary line (double acting) on arm	•
Hydraulic joystick control	•
Control console locks	•
Boom light metal protection	•
Retractable seat belt	•

Powered by Innovation

DEVELON

Space for dealer's stamp



HD Hyundai Infracore Europe s.r.o.
IBC – Pobrezni 620/3,
18600 Praha 8 – Karlín, Czechia

©2024 HD Hyundai Infracore. All rights reserved.

D4601310-EN (04-24)

Certain specifications are based on engineering calculations and are not actual measurements. Specifications are provided for comparison purposes only and are subject to change without notice. Specifications for your individual Develon equipment will vary based on normal variations in design, manufacturing, operating conditions, and other factors. Pictures of Develon units may show equipment other than standard equipment.